







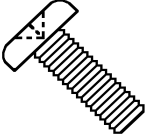
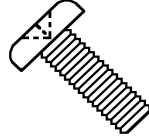
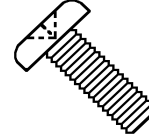
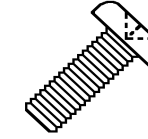
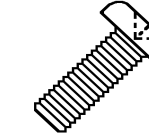
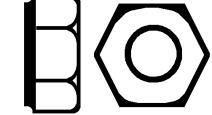






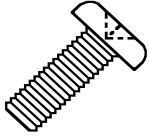
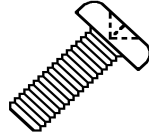
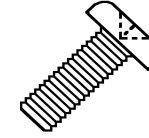
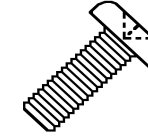
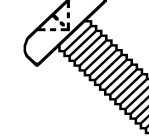







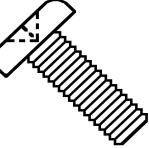
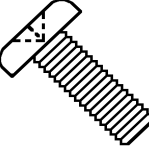
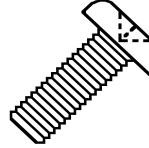
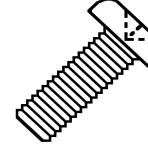
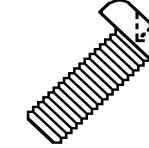






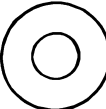
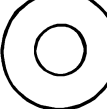
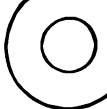


PART NO. 0021001801 	ASSORTMENT # MTR1	
--	-------------------	--



**INDUSTRIAL SUPPLY, INC.**  
 5761 Chandler Ct., Westerville, OH 43082  
 (614) 898-5997 1-800-828-7190

**METRIC MACHINE SCREWS, NUTS & WASHERS**  
**PHILLIPS PAN HEAD SCREWS**

© A.I.S. 1995 **DIAMETER X LENGTH**

PART# 0018020690 	PART# 0018020700 	PART# 0018020710 	PART# 0018020800 	PART# 0018020810 	PART# 0018012500 
M4-.7 X 6mm 	M4-.7 X 10mm 	M4-.7 X 16mm 	M6-1 X 10mm 	M6-1 X 12mm 	M4-0.7 
PART# 0018020820 	PART# 0018020830 	PART# 0018020840 	PART# 0018020850 	PART# 0018020910 	PART# 0018012520 
M6-1 X 16mm 	M6-1 X 20mm 	M6-1 X 25mm 	M6-1 X 30mm 	M8-1.25 X 16mm 	M6-1 
PART# 0018020920 	PART# 0018020930 	PART# 0018020960 	PART# 0018020970 	PART# 0018020980 	PART# 0018012530 
M8-1.25 X 20mm 	M8-1.25 X 25mm 	M10-1.5 X 20mm 	M10-1.5 X 25mm 	M10-1.5 X 30mm 	M8-1.25 
PART# 0018013310 	PART# 0018013330 	PART# 0018013350 	PART# 0018013360 	PART#	PART# 0018011870 
M4 	M6 	M8 	M10 		M10-1.5 

**ALL QUANTITIES EQUAL 100**